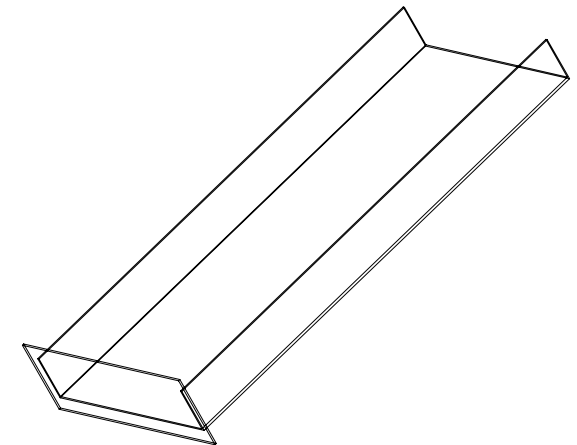


# Rear Ash Drawer BEND

KG5.2.1.0.11 Rear Ash Drawer BEND

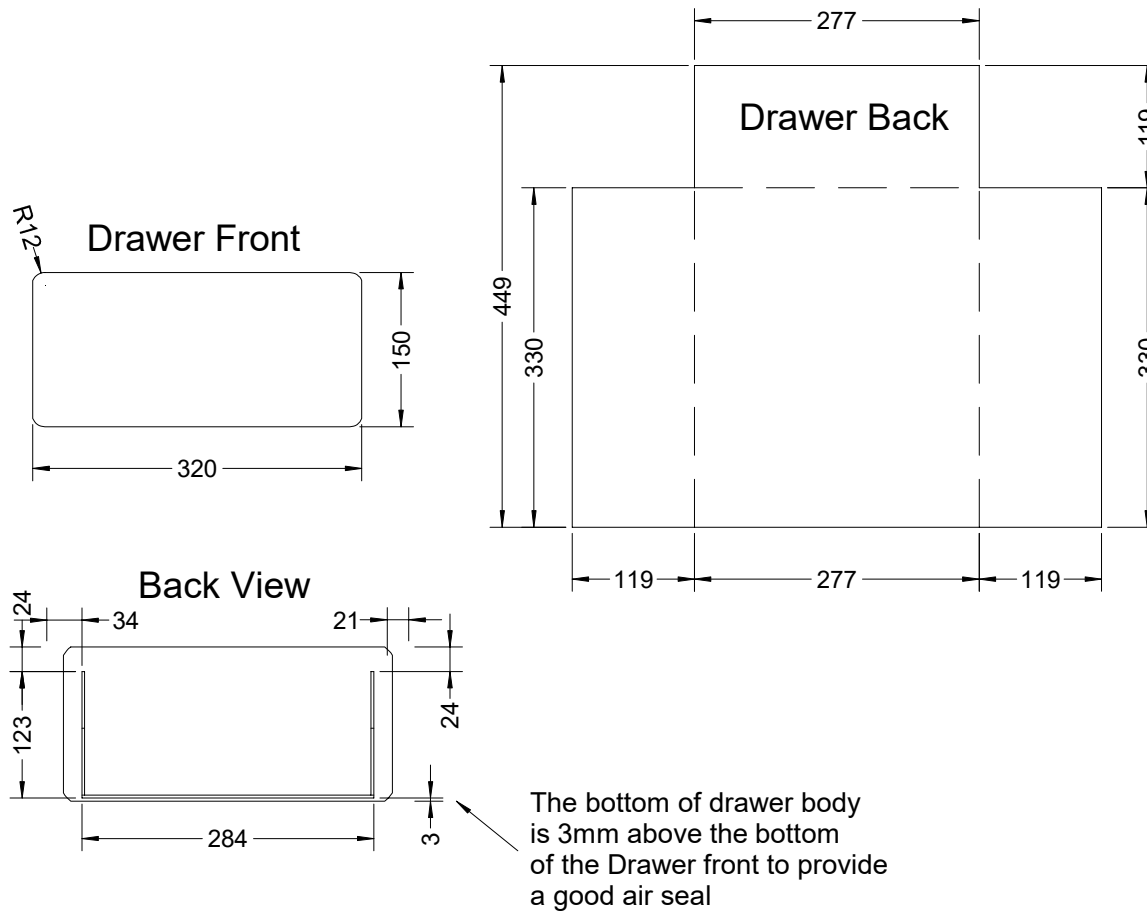
Model MN5.2  
Version 1.0  
30 Jan 2018

C Pemberton-Pigott



Add any suitable  
handle

Outside body dimensions  
333 x 277 x 123  
(333 plus the handle)



**\*\*Important\*\***

The Ash Drawer Housing must be mounted so the open end is flush with the end of the stove body, not recessed. The drawer front must completely close air gaps so no air can enter around the ash drawer.

